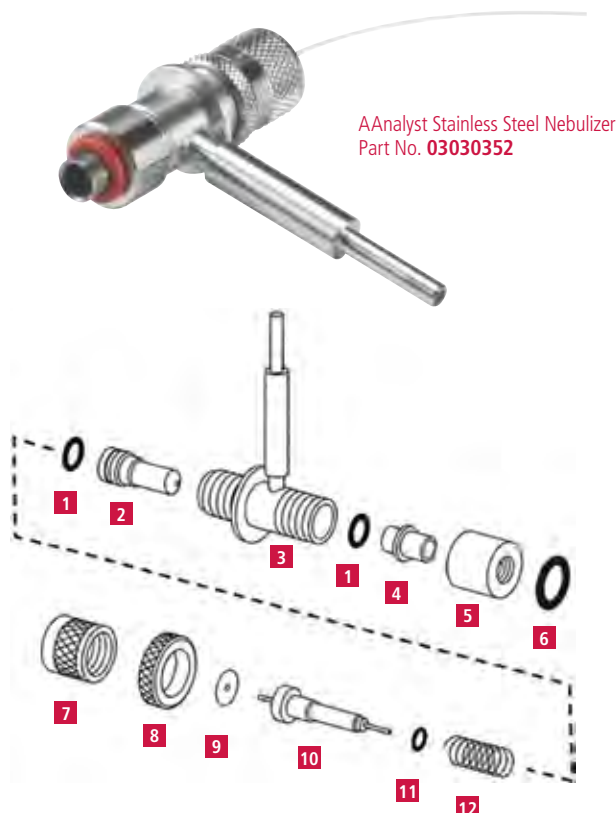


Metal Body Nebulizer Parts for AAnalyst 200/400*, 100/300/700/800**,

For Nebulizers with Part Nos. **03030404**, **03030299** and **03030352**

Description	Part No.
1 O-Ring for Insert/Venturi (Each nebulizer requires a quantity of 2)	09902005
Solvent Resistant O-Rings for Insert/Venturi (Each nebulizer requires a quantity of 2)	09200273
2 Insert	03031812
3 Nebulizer Body	03030353
4 Venturi for Corrosion Resistant Nebulizer	03031920
Venturi for Platinum Alloy Nebulizer	03033124
Venturi for Stainless Steel Nebulizer	03031810
5 Front End Cap	03031808
6 O-Ring for Front End Cap	09902239
Solvent Resistant O-Ring for Front End Cap	09200274
7 Fine Adjustment Nut	03031460
8 Locking Ring	03031456
9 Washer	03031802
10 Capillary Assembly for Corrosion Resistant Nebulizer	03030402
Capillary Assembly for Platinum Alloy Nebulizer	03030433
Capillary Assembly for Stainless Steel Nebulizer	03030354
11 O-Ring for Capillary Assembly	09902102
Solvent Resistant O-Ring for Capillary Assembly	09200271
12 Spring	03031806
N/A O-Ring Kit (Includes 5 x 09902005 , 3 x 09902102 , 5 x 09902239 , 2 x 03031802)	N9300065
N/A Solvent Resistant O-Ring Kit (Includes 1 x 09200271 , 2 x 09200273 and 1 x 09200274)	N2010247

* AAnalyst 200/400 Require End Cap **00570984** ** For AAnalyst spectrometers shipped starting Fall 1999



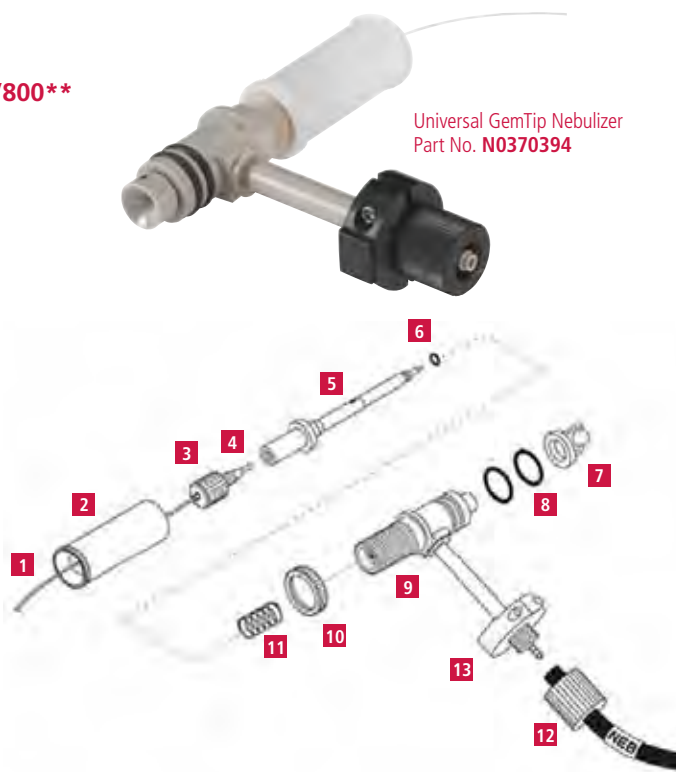
AAnalyst Stainless Steel Nebulizer
Part No. **03030352**

GemTip Nebulizers for AAnalyst 100/300/200*/400*/700**/800**

For Nebulizers with Part Nos. **N0370394** and **N0370393**

Description	Part No.
1 Capillary Tubing	09908265
2 Fine Adjustment Nut	N0371492
3 Gland Nut	N0371505
4 PTFE Tubing	09985708
5 Capillary Assembly for Universal GemTip Nebulizers	N0371520
Capillary Assembly for High-Sensitivity GemTip Nebulizers	N0371522
6 O-Ring for Capillary Assembly	09926083
7 Impact Bead for High-Sensitivity GemTip Nebulizer	B0505086
8 O-Ring for Nebulizer Body	09902015
Solvent Resistant O-Ring for Nebulizer Body	B0174378
9 Body Assembly for Universal GemTip Nebulizer	N0370398
Body Assembly for High-Sensitivity Nebulizer	N0370399
10 Locking Nut	N0371493
11 Spring	09902473
12 Connector Nut	N0371485
13 Magnet Holder Assembly	N1010215

* AAnalyst 200/400 Require End Cap **N0370392** ** For AAnalyst 700/800 Instruments Shipped before Fall 1999



Universal GemTip Nebulizer
Part No. **N0370394**