

GemClean Nebulizer

GemClean Cross-Flow II Nebulizer

Complete chemically inert Cross-Flow II nebulizer assembly specially processed to reduce BEC levels below 1 ppb. Contains an end cap with a GemTip clear sapphire sample tip and a GemTip red ruby argon tip optimized for ICP-MS.



Description	Part No.
GemClean Cross-Flow II Nebulizer	N8120516

Cross-Flow Replacement GemTips and Spares

Includes a clear sapphire sample tip and a red ruby argon tip optimized for ICP-MS. Tips are constructed of PEEK for maximum corrosion resistance.

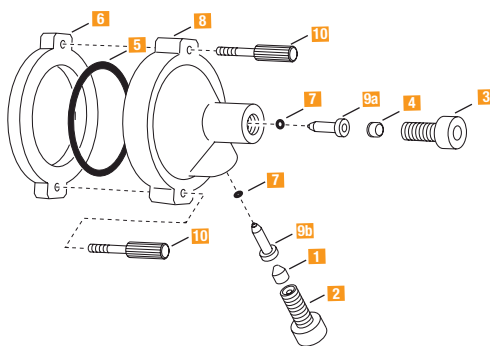


Description	Part No.
Cross-Flow II Replacement GemTips	N8120515
Cross-Flow II Nebulizer Argon Ferrule	09920515
Cross-Flow II Nebulizer Ferrule Kit*	N0680612
Cross-Flow II Nebulizer End Cap	N8122239
Cross-Flow II Nebulizer Sample Ferrule	09920518
GemTip II O-Ring	09921045
End Cap O-Ring	09902033
Sample Tubing	09985708
Argon Tubing	09985723

*Includes 09920515 and 09920518

GemClean Cross-Flow II Nebulizer Replacement Parts

Description	Part No.
1 Sample Ferrule – TBG 1/16 Tefzel	09920518
2 Nut – TBG PEEK	09920516
3 Nut	09920517
4 Argon Ferrule – TBG 1/8 Tefzel	09920515
5 O-Ring, 18W, 1 3/8 ID, 1 5/8 OD	09902033
6 Ring	00473543
7 O-Rings (2) 0.126 ID, 0.040 WD, Viton	09921045
8 End Cap Cross-Flow II Nebulizer	N8122239
9 GemTip Kit for Cross-Flow II Nebulizer (Contains one each: Argon and Sample tip)	N8120515
9a Red Ruby Nebulizer, Argon Tip	
9b Clear Nebulizer Sample Tip	
10 Screws (2) – Knurled	00473539



Nebulizer Cleaners



The Eluo™ Nebulizer Cleaner

The Eluo is designated to efficiently deliver a cleanser through the nebulizer capillary to dislodge particle build-up and thoroughly clean the nebulizer.

Description	Part No.
For Newer OpalMist, PolyCon, DuraMist, MEINHARD, Other Glass Nebulizers	N0777712
For OLD Style OpalMist or PolyCon Nebulizers	N0775358



PFA Nebulizer Obstruction Removal Kit

Obstruction Removal Kit while naturally resistant to obstructions, PFA nebulizers may occasionally require maintenance. Use this kit to safely remove obstructions in all PFA-ST nebulizers for long-term high performance.

Description	Part No.
Nebulizer Obstruction Removal Kit	N8145236



Syringe Flush Kit

Use syringe and white adapter to back-flush the carrier line or tee-line. Use syringe and red adapter to forward flush the carrier line, the side port of the tee-line and to forward flush the PFA nebulizer.

Description	Part No.
Syringe Flush Kit Includes 3 mL syringe, two luer to 1/4-28 adapters	N8121035

pergo Argon Nebulizer

The pergo improves performance of all concentric nebulizers for the routine analysis of brines, fusion digests and other high-TDS samples.



ICP-MS Model	Description	Part No.
ELAN/NexION	without Nebulizer	N8145315
ELAN/NexION	with MEINHARD Type A Nebulizer	N8145315
ELAN/NexION	Pero 2 without Nebulizer	N8140743