

FID Add-On Kits

Auto-Ignite FID with PPC Add-On Kit*

Kit includes: detector assembly with heater and sensor, heater block, igniter, programmable pneumatics, and controls for detector combustion gases. Requires, but does not include, amplifier (**N6120162**) and AutoSystem XL firmware revision 3.3 or higher. The AutoSystem XL must be PPC ready. If not, a PPC upgrade kit (**N6120146**) is required.

Voltage	Part No.
120 V*	N6120167
240 V*	N6120168

*Not compatible with the FID detector on the Clarus 690 and 590 GCs
Refer to the Clarus 590/690 consumables reference guide for more details

Auto-Ignite FID Add-On Kit (Manual Pneumatics)

Kit includes: detector assembly with heater and sensor, heater block, igniter, hydrogen pressure regulator, and needle valve. Requires, but does not include, amplifier (**N6120162**). Requires AutoSystem XL to have firmware revision 3.3 or higher.

Voltage	Part No.
120 V AutoSystem	N6120165
240 V AutoSystem	N6120166
120 V Clarus*	N6520018
230 V Clarus*	N6520019

*Not compatible with the FID detector on the Clarus 690 and 590 GCs
Refer to the Clarus 590/690 consumables reference guide for more details

FID Amplifier

Required for use with FID Detector Add-On Kit*.

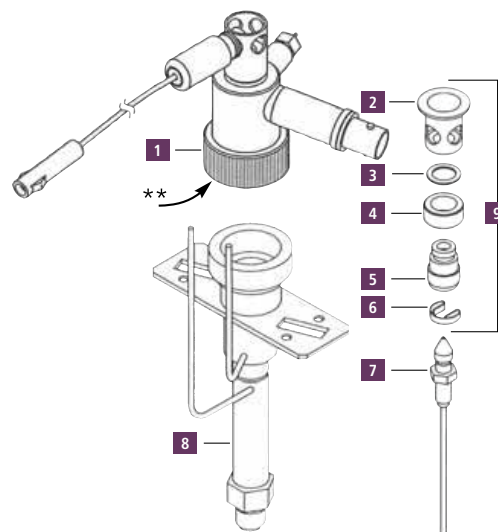
Description	Part No.
FID Amplifier	N6120162

* This is not required for the Clarus 590/690 FID add-on kits

Auto-Ignite FID Replacement Parts*

	Description	Part No.
1	Collector Head Assembly Silicone Rubber O-Ring* (not shown)	N6100357 09902143
2	Polarizer Nozzle	N6103167
3	Nozzle Insulator	09907827
4	Nozzle Collector	N6101085
5	Body Assembly	N6103175
6	FID Jet Contact/Spring	N6001204
7	Jet Assembly*	N6100361
8	FID Body	N6100364
9	Nozzle Assembly	N6100430

*Not compatible with the FID detector on the Clarus 690 and 590 GCs
Refer to the Clarus 590/690 consumables reference guide for more details



Detector Series Operation Kit

TCD/FID Series Operation Kit

Used to direct sample effluent from the TCD to the FID.

Description	Part No.
TCD/FID Series Operation Kit	N6120006

PID/FID Series Operation Kit

Used to direct sample effluent from the PID to the FID.

Description	Part No.
PID/FID Series Operation Kit	N6120059