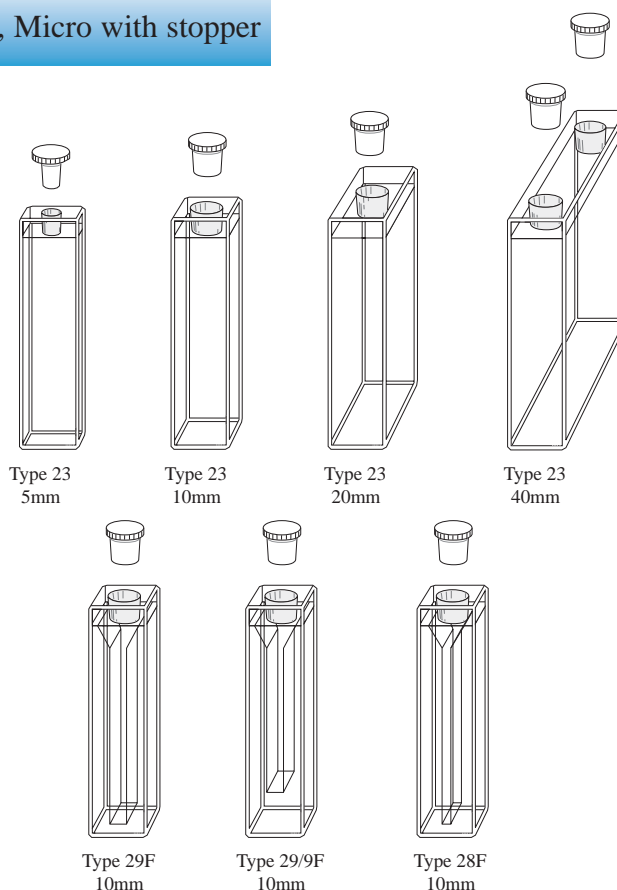


Fluorometer Cells, Standard, Semi-Micro, Micro with stopper

Type 23 cells are identical to Standard Rectangular fluorometer cells as listed on page 26 except that instead of having an open rectangular hole at the top, a block is fused to the top of the cell with a ground hole to receive a PTFE stopper. This provides a more suitable seal for volatile liquids. A PTFE stopper is supplied with each cell. Two stoppers are supplied with cells which have a path length of 40mm or greater.

Smaller volume Types 29F and 28F are identical to Types 9F Semi-Micro and Type 18F Micro cell ranges except they have a stopper instead of a lid. A PTFE stopper is supplied with each cell.



Catalog Number	Path Length mm	Exterior, mm			Interior, mm		Nominal Vol. ml	Polished Windows	Base	Price per cell
		Width	Length	Height	Width	Length				
<i>Optical Glass windows, Useable range: 334 to 2500 nm</i>										
23-G-5	5	12.5	7.5	48	10	5	1.700	4	1	\$ 124.50
23-G-10	10	12.5	12.5	48	10	10	3.500	4	1	107.20
23-G-20	20	12.5	22.5	48	10	20	7.000	4	1	200.20
23-G-40	40	12.5	42.5	48	10	40	14.00	4	1	237.00
<i>Special Optical Glass windows, Useable range: 320 to 2500 nm</i>										
23-SOG-10	10	12.5	12.5	48	10	10	3.500	4	1	\$ 156.60
<i>Spectrosil® Far UV Quartz windows, Useable range: 170 to 2700 nm</i>										
23-Q-5	5	12.5	7.5	48	10	5	1.700	4	1	\$ 248.05
23-Q-10	10	12.5	12.5	48	10	10	3.500	4	1	200.20
23-Q-20	20	12.5	22.5	48	10	20	7.000	4	1	313.20
23-Q-40	40	12.5	42.5	48	10	40	14.00	4	1	384.70
<i>Infrasil® or equivalent Near Infrared Quartz windows, Useable range: 220 to 3800 nm</i>										
23-I-5	5	12.5	7.5	48	10	5	1.700	4	1	\$ 287.00
23-I-10	10	12.5	12.5	48	10	10	3.500	4	1	269.60
23-I-20	20	12.5	22.5	48	10	20	7.000	4	1	345.25
23-I-40	40	12.5	42.5	48	10	40	14.00	4	1	409.90
<i>Spectrosil® Far UV Quartz windows, Useable range: 170 to 2700 nm</i>										
29F-Q-10	10	12.5	12.5	48	4	10	1.400	4	1	\$ 319.50
29/9F-Q-10	10	12.5	12.5	48	4	10	1.160	4	1	356.30
28F-Q-10	10	12.5	12.5	48	2	10	0.700	4	1	\$ 334.20

Semi-Micro, Stoppr

Micro, Stopper