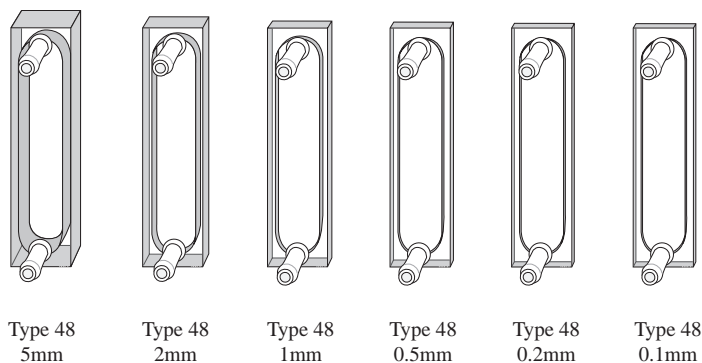
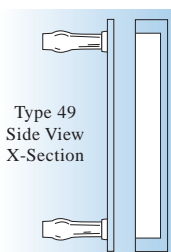
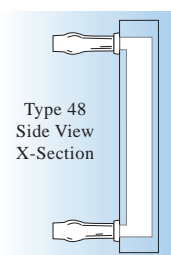


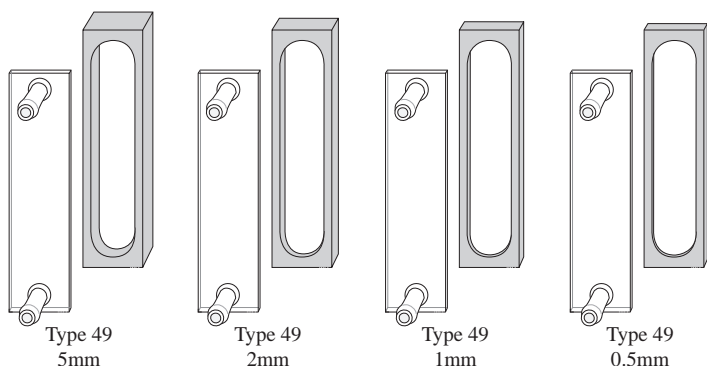
Short Path Length, Flow Cells

Cell Types 48 and 49 are designed for use in various applications where a flow cell with a small path length and a large window surface area is needed. Flow tubes are fused to the front window of the cell, in the case of Type 49, the removable window. The cells will fit any spectrophotometer which can accommodate a normal cell with a 40mm path length. This allows introduction of the inlet/outlet tubes parallel to the light beam. The Type 48 is a fully fused cell.

The demountable cells Type 49, with removable window, must be held together when being used. Cell holder Type CH-2049, shown below, is designed for this purpose. These cells may be taken apart for easy cleaning. This cell design is especially useful for opaque or viscous solutions. The cell consists of one fully fused component combining one window and the sides of the cell which forms the path length. The other window is separate and the cell can therefore be taken apart for cleaning. The cell wall and the removable window are polished so flat that the two will form a seal when placed in contact. Viscous and aqueous samples will allow the best seal to be formed, organic solvents will creep into the seal area for a less reliable seal.



Type 48 5mm Type 48 2mm Type 48 1mm Type 48 0.5mm Type 48 0.2mm Type 48 0.1mm



Type 49 5mm Type 49 2mm Type 49 1mm Type 49 0.5mm

Cell Holder

This cell holder is designed to lightly clamp the type 20 cells in a vertical orientation for use in a standard instrument cell holder. Exterior dimensions are 12.5 x 12.5 x 52mm. The base is 9mm thick. This cell holder works with cells having a 2mm pathlength or less.



Cat. No	Description	Price, each
CH-2049	Cell holder	\$ 85.10

Flow cell Tubulation dimensions:

OD	ID	Length
4.2mm	2.0mm	16mm

Catalog Number	Path Length mm	Exterior, mm			Sample Chamber, mm			Volume in ml	Polished Windows	Price per cell
		Width	Length	Height	Width	Length	Height			
<i>Spectrosil® Far UV Quartz windows, Useable range: 170 to 2700 nm</i>										
48-Q-0.1	0.1	12.5	2.6	45	8	0.1	40	0.030	2	\$ 291.10
48-Q-0.2	0.2	12.5	2.7	45	8	0.2	40	0.060	2	291.10
48-Q-0.5	0.5	12.5	3	45	8	0.5	40	0.150	2	291.10
48-Q-1	1	12.5	3.5	45	8	1	40	0.300	2	280.60
48-Q-2	2	12.5	4.5	45	8	2	40	0.600	2	280.60
48-Q-5	5	12.5	7.5	45	8	5	40	1.560	2	291.10
<i>Spectrosil® Far UV Quartz windows, Useable range: 170 to 2700 nm</i>										
49-Q-0.1	0.1	12.5	2.6	45	8	0.1	40	0.030	2	\$ 291.10
49-Q-0.2	0.2	12.5	2.7	45	8	0.2	40	0.060	2	291.10
49-Q-0.5	0.5	12.5	3	45	8	0.5	40	0.150	2	291.10
49-Q-1	1	12.5	3.5	45	8	1	40	0.300	2	280.60
49-Q-2	2	12.5	4.5	45	8	2	40	0.600	2	280.60
49-Q-5	5	12.5	7.5	45	8	5	40	1.560	2	291.10